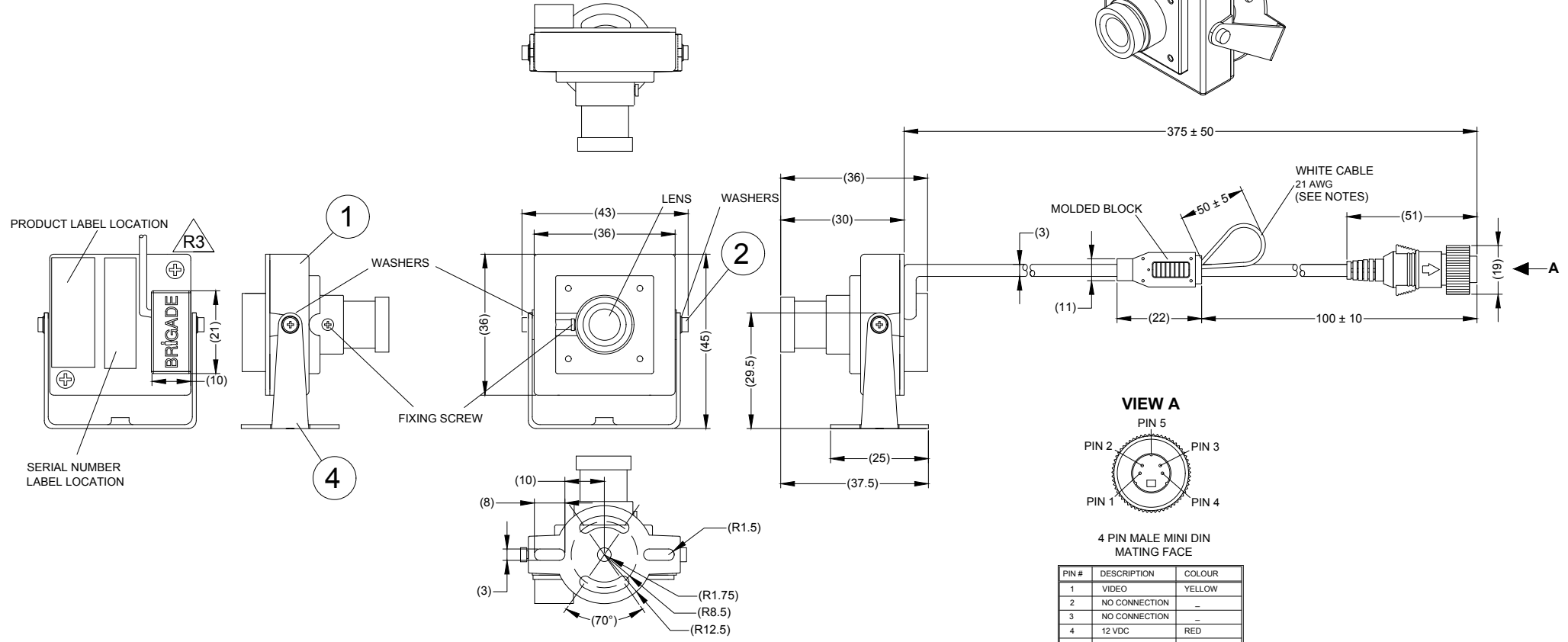


ITEM	PART NO.	QTY	MODEL / DESCRIPTION
①	(4914)	1	DMC-1025-C CAMERA ONLY
②	-	1	DMC-1025-FIX FIXING KIT
③	(4912)	1	DMC-1025-IG INSTALLATION GUIDE (NOT SHOWN)
④	(4918)	1	DMC-1025-BKT MOUNTING BRACKET

Revision Notes.				
R1 - CAMERA BACK HOUSING UPDATED WITH COVER ON CONNECTOR REF ECR-A375				
APA: K.WONG	Drawn: L.BRAR	Checked: M.BUTLER	Approved: B.JOHN	Date: 29/09/15
R2 - CORRECTION FROM 300 ± 50 TO 375 ± 50. NOTE 1 REVISED - INSULATE EXPOSED WIRES				
APA: - K.WONG	Drawn:- W.BEAZLEY	Checked:- B.CHILDS	Approved:- D.WALLIN	Date: - 08/03/216
R3 - ADD "BRIGADE" LOGO, CORRECT DIMENSIONS AND DRAWING LAYOUT AS PER ECR-A414				
APA: - K.WONG	Drawn:- R.PENTLEY	Checked:- M. BUTLER	Approved:-B.JOHN	Date: - 04/05/2016



- NOTES:
- CUT WHITE CABLE FOR MIRROR IMAGE AND INSULATE EXPOSED WIRE.
 - REFER TO PRODUCT SPECIFICATIONS FOR TECHNICAL DETAILS.
 - FIXING KIT SUPPLIED WITH CAMERA CONSISTS OF TWO 1.9MM DIAMETER BODY MOUNTING SCREWS WITH TWO PLAIN & TWO SPRING WASHERS, 2 SELF TAPPING 3MM OUTER DIAMETER SCREWS AND ONE 3.9MM BRACKET MACHINE SCREW FOR MOUNTING USAGE.
 - FOR PRODUCT LABEL REFER TO LATEST REVISION OF BE-003141-XX-15.
 - FOR SERIAL NUMBER LABEL REFER TO LATEST REVISION OF DRAWING BE-001698-XX-11.
 - FOR GIFTBOX LABEL REFER TO LATEST REVISION OF DRAWING BE-003142-XX-15
 - FOR PACKAGING REFER TO LATEST REVISION OF DRAWING BE-003143-XX-15.
 - CAMERA IS SUPPLIED WITH BRACKET ASSEMBLED.

PROPRIETARY NOTICE
 THIS DESIGN AND TECHNICAL INFORMATION APPEARING ON THIS DRAWING IS THE PROPERTY OF BRIGADE ELECTRONICS, AND IS DISCLOSED IN CONFIDENCE. IT IS NOT TO BE COPIED, REPRODUCED, REVEALED TO OR EXPROPRIATED BY OTHERS, EITHER IN WHOLE OR IN PART WITHOUT THE EXPRESS WRITTEN CONSENT OF BRIGADE ELECTRONICS.



Assembly PI Approval K.WONG	Approved by B.JOHN	Checked by M.BUTLER	Drawn by L.BRAR
Angle of Projection 	Units mm	Scale N/A	Released 15/06/15
Status RELEASED	DMC-1025		
Part No 4910	BE-003137-03-15		